

- I Minute hand
- II Chronograph second hand
- III Chronograph minute hand
- IV Hour hand
- V Second hand
- VI Calendar
- VII 24 hour hand
- A Button A
- B Button B
- C1 normal crown position
- C2 1st position
- C3 2nd position

SPECIFICATIONS

Case size _____ 42mm diameter
 Case material _____ 316l stainless steel
 Finishing _____ Black plated / brushed stainless steel
 Movement _____ Japanese quartz movement
 Crown / pushers _____ Stainless steel
 Lens _____ Sapphire coated mineral glass
 Back case _____ Stainless steel
 Strap _____ 20mm horween usa leather
 Buckle _____ Stainless steel
 Battery life _____ 3 years
 Water resistance _____ 50 meters
 Wrist fitting _____ Aprx. 165mm - 195mm
 Warranty _____ 2 years

SETTING THE TIME

- 1 Pull the crown out to the 2nd position (C3).
- 2 Turn the crown to set hour and minute hands.
- 3 When the crown is pushed back to the normal position the small second hand begins to run.

SETTING THE DATE

- 1 Pull the crown out to the 1st position (C2).
- 2 Turn the crown counterclockwise to set the date.
- 3 After the date has been set, push the crown back to the normal position.

NOTE: Do not set the date between the hours of 9:00PM and 1:00AM as the date may not change the next day.

USING THE CHRONOGRAPH

The chronograph is able to measure and display time in 1/1 second united up to a maximum of 59 minutes 59 seconds.
 The chronograph second hand keeps continuously running for 59 minutes 59 seconds after starting.

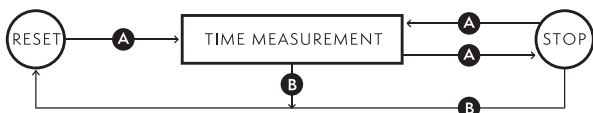
CHRONOGRAPH RESET

This procedure should be performed when the chronograph second hand does not return to the zero position after the chronograph has been reset, and including after the battery has been replaced.

- 1 Pull the crown out to the 2nd position (C2).
- 2 Press button 'A' to set the chronograph second hand to the zero position. The chronograph hand can be advanced rapidly by continuously pressing button 'A'.
- 3 Once the hand has been zeroed, return the crown to the normal position.

MEASURING TIME WITH CHRONOGRAPH

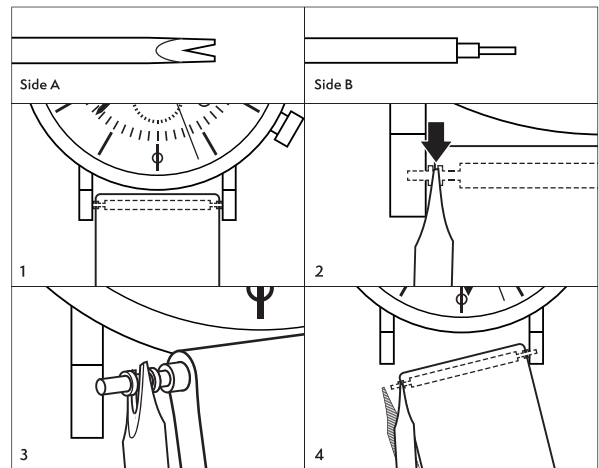
- 1 The chronograph can be started and stopped each time button 'A' is pressed.
- 2 Pressing button 'B' resets the chronograph. The chronograph second hand and chronograph minute hand then return to the zero position.



REMOVING STRAP

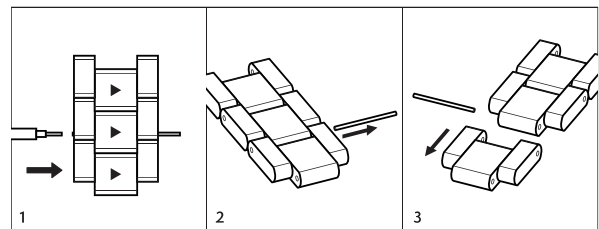
- 1 Locate the spring inside the watch band.
- 2 Insert side 'A' of the tool between the ear of the watch and the strap, pressing down on the spring.
- 3 Lever up to detach the spring bar.
- 4 Insert the spring bar inside the new strap and reverse the steps above.

Please use side 'B' end of the tool to remove the buckle. Insert the tool in the hole found on each side of the buckle and push in to remove.



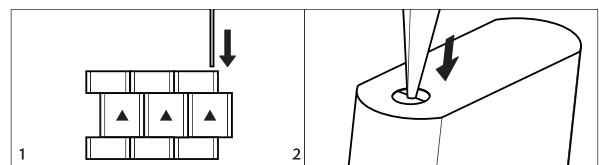
LINKS DISASSEMBLY

- 1 Place the watch facing down on a flat surface with the arrows pointing away from you. Align the pin hole on the side of the bracelet with the end of the strap. Apply gentle pressure to start pushing the pin out.
- 2 Once the pin is pushed out as far out as it will go, pull the pin out completely with your fingers or a pair of tweezers.
- 3 After the pin is removed, the link will come apart. Repeat this procedure for as many links as required.



LINKS ASSEMBLY

- 1 Assembly is opposite of disassembly. First connect the links together then reinsert the connecting pin into the connected link. Be sure to insert the pin, small end first, in the opposite direction of the arrows.
 After the pin is inserted in the bracelet, use the end of a pair of tweezers to seat the pin in the bracelet. Be sure the end of the pin is pushed slightly below the edge of the bracelet.
- 2



2 YEAR WARRANTY

Your AARK timepiece is backed by a full two year warranty from the original date of purchase.

The warranty covers any and all parts of the watch that may need repair due to defects in materials or workmanship under normal use. AARK obligations here under are limited to repair or replacement at its option. The warranty excludes the battery, strap/bracelet and excessive wear or damage to the case, crystal or strap. AARK Collective is not liable for any consequential or incidental damages, and any recovery may not exceed the amount paid for the timepiece. All implied warranties are limited to two years. Buyer is required to produce a proof of purchase upon request. The warranty may be rejected on products showing evidence of extreme use. For warranty issues, please contact AARK Collective at service@aarkcollective.com.